

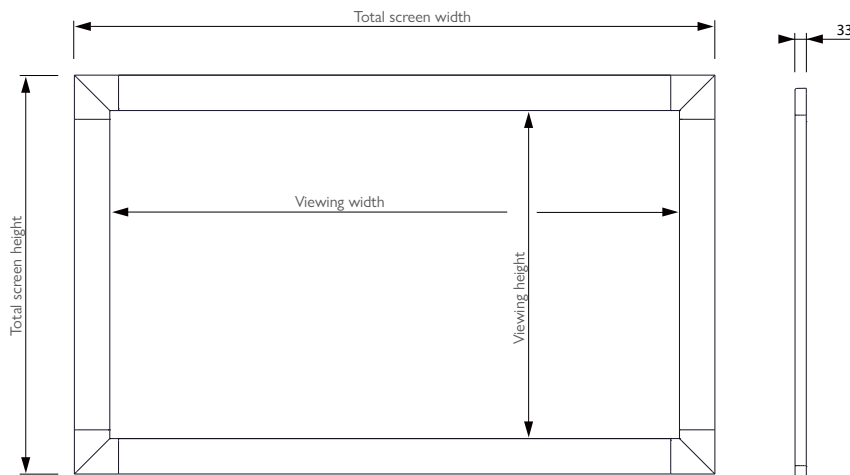


euroscreen®

Frame Vision

Frame Vision is a high quality framed screen with a tensioning system that puts equal tension on each part of the viewing surface, making it perfectly smooth. The surface is stretched on a 10cm aluminium frame that features an attractive black border, giving the screen a theatre-like appearance. As an option, Vel-Tex® can be added to the frame, for total control of the ambient light and reducing the reflections to an absolute minimum. Frame Vision is very quick and easy to assemble.

SCREEN DIMENSIONS FRAME VISION



$$\text{Total frame width} = \text{Viewing width} + 200\text{mm}$$

$$\text{Total frame height} = \text{Viewing height} + 200\text{mm}$$

SCREEN SURFACES

FlexWhite
Pliable matt white front surface, superb colour rendition, Full HD compliant. Gain 1.0.

ReAct 3.0
Pliable silver grey front surface, enhances colour contrast in bright light, 8K compliant. Gain 1.0.

FlexRear
Neutral grey rear projection surface. Full HD & 8K compliant. Gain 1.2.

Flex Grey
Pliable Gray front surface, superb colour rendition, 8K compliant. Gain 0.8.

STANDARD FORMATS

16:9 The format of the viewing area is 16:9.

16:10 The format of the viewing area is 16:10.

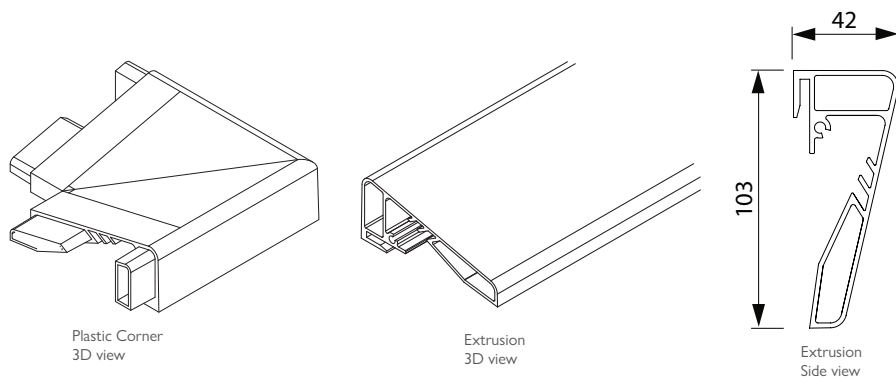
2.35:1 The format of the viewing area is 2.35:1.

OPTIONS



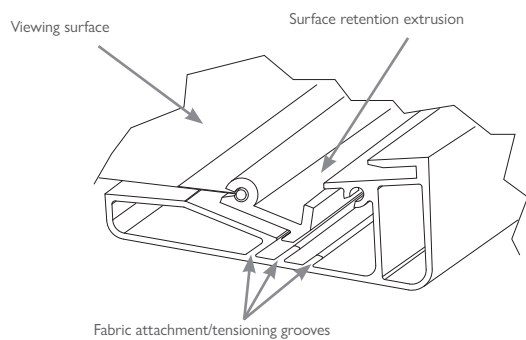
Vel-Tex®
For total control of the ambient light. Reducing the reflections to a minimum.

DETAILS

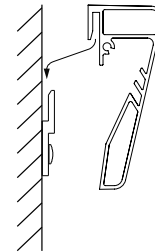


CONSTRUCTION

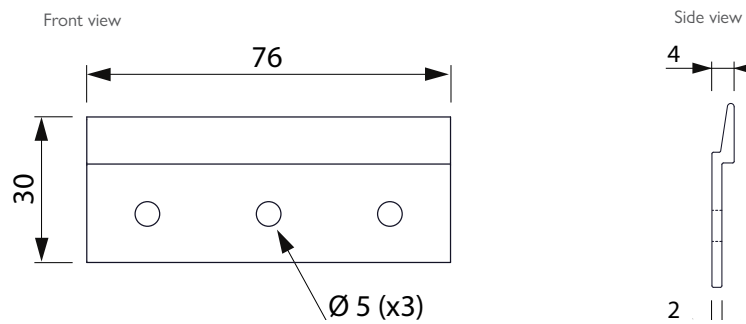
How to tension the screen surface



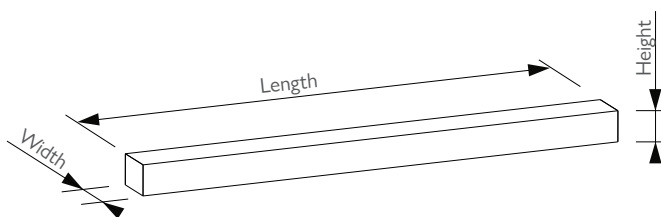
How to mount the screen



BRACKET DIMENSIONS



PACKAGING DIMENSIONS FRAME VISION



Screen width (viewing area)	Box length	Box width	Box height
1600	1950	245	250
1800	2150	245	250
2000	2350	245	250
2200	2550	245	250
2400	2750	245	250
2700	3050	245	250
3000	3350	245	250
3500	3850	245	250
4000	4350	245	250