



euroscreen®

Linea

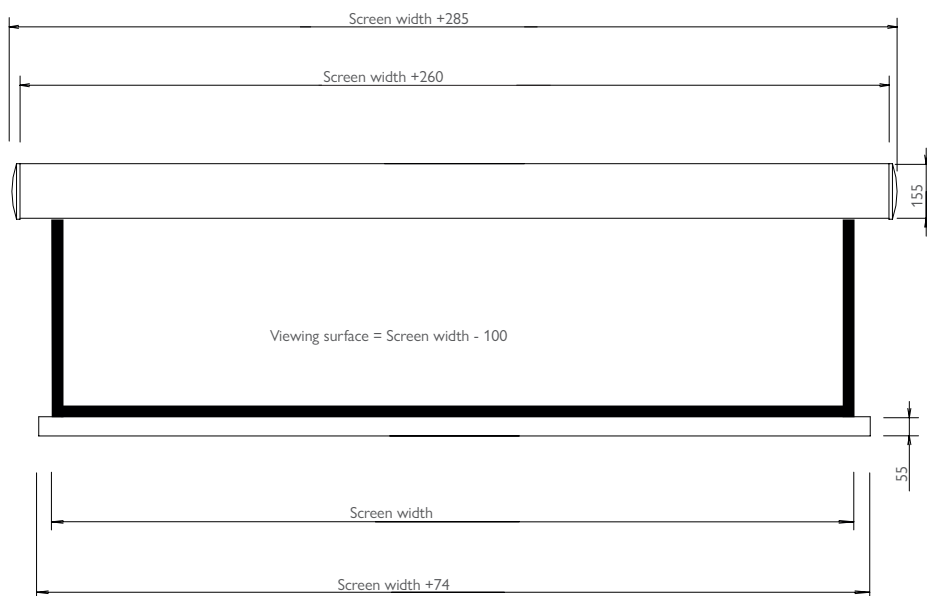
The **Linea** model has a uniquely designed case with a classic yet contemporary shape. The gently rounded aluminium case has no exposed mounting fixtures or fasteners, and all attachment points are completely invisible. The case is finished in white and the heavy weight bottom dowel retracts completely inside the case when the screen is not in use.

Linea Tab Tension

This model features all of the benefits mentioned above, and an additional selection of tensioned screen surfaces. The tensioning function makes it possible to adjust the flatness of the surface and therefore provide a perfectly flat viewing surface for years to come.

SCREEN DIMENSIONS

SCREEN DIMENSIONS



SCREEN SURFACES

Xpert
White front surface, black-backed. PVC free. Flame retardant (B1). Excellent surface flatness and colour temp. Gain 1,0.

MOTOR CONTROL

ENYROOM-ER MOTOR
Built-in controls
Enyroom-ER radio receiver
Dry contact (RJ12 connector)

Accessories
Radio remote controls
Autolink
Dry contact transmitter
WiFi-box App-control
IP-box

INSTALLATION/WIRED MOTOR
Accessories
Control box (RS232, RF, IR,
12V trigger, Dry contact transmitter)

STANDARD FORMATS LINEA

NO BLACK BORDERS Available in sizes without black borders.

16:9 The screen has 5 cm wide black borders. The format of the viewing area is 16:9.

16:10 The screen has 5 cm wide black borders. The format of the viewing area is 16:10.

2.35:1 The screen has 5 cm wide black borders. The format of the viewing area is 2.35:1.

STANDARD FORMATS LINEA TT

NO BLACK BORDERS Available in sizes without black borders.

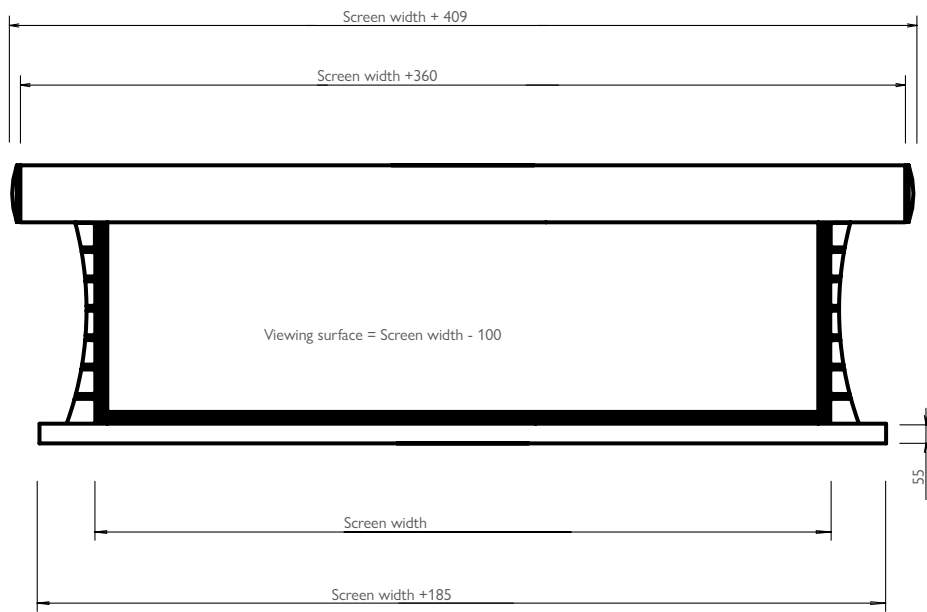
16:9 The screen has 5 cm wide black borders. The format of the viewing area is 16:9.

16:10 The screen has 5 cm wide black borders. The format of the viewing area is 16:10.

2.35:1 The screen has 5 cm wide black borders. The format of the viewing area is 2.35:1.

LINEA TAB TENSION

SCREEN DIMENSIONS



SCREEN SURFACES

FlexWhite

Pliable matt white front surface, superb colour rendition, Full HD & 8K compliant. Gain 1.0.

ReAct 3.0

Pliable silver grey front surface, enhances colour contrast in bright light, Full HD & 8K compliant. Gain 1.0.

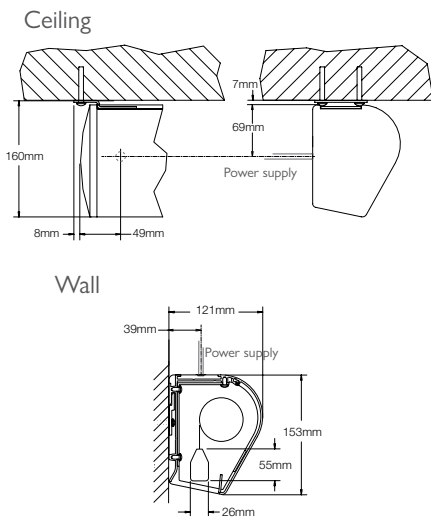
FlexRear

Neutral grey rear projection surface. Full HD & 8K compliant. Gain 1.2.

FlexGrey

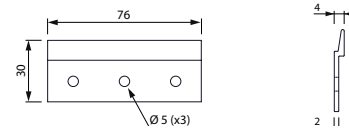
Grey front surface, Full HD & 8K compliant. Gain 0.8

CASE DIMENSIONS

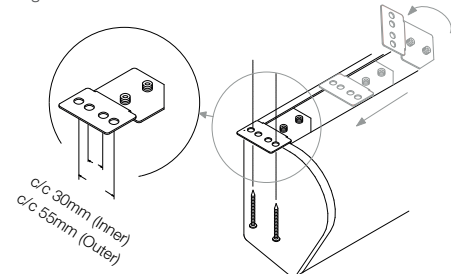


BRACKET DIMENSIONS

Brackets – Wall



Brackets – Ceiling



PACKAGING DIMENSIONS LINEA

Screen width	Box length	Box width	Box height
1600	2150	260	260
1800	2350	260	260
2000	2550	260	260
2200	2750	260	260
2400	2950	260	260
2700	3250	260	260
3000	3550	260	260

PACKAGING DIMENSIONS LINEA TT

Screen width	Box length	Box width	Box height
1600	2260	260	260
1800	2460	260	260
2000	2660	260	260
2200	2860	260	260
2400	3060	260	260
2700	3360	260	260
3000	3660	260	260