



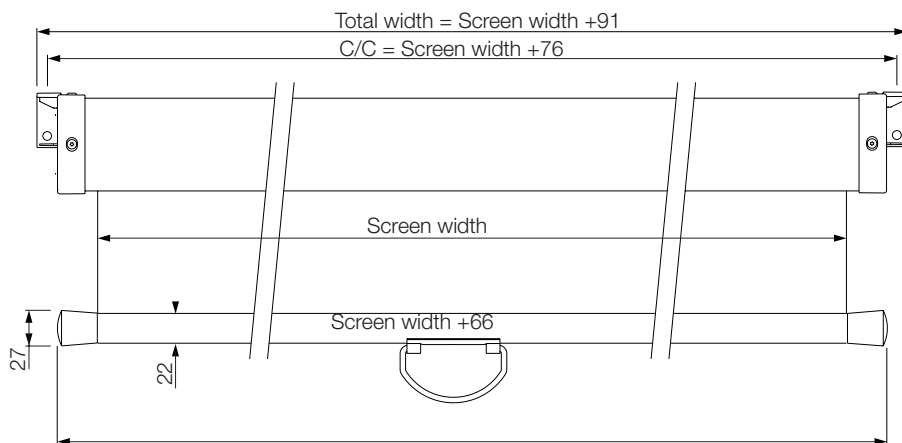
euroscreen®

Connect Manual

The Connect manual projection screen is the longest established model within the Euroscreen® range. Its cassette has a square design with soft edges, and the white steel case is equipped with matching end caps which can be used for an easy mounting directly onto the wall or the ceiling. Bottom dowel very close wall. Optional wall brackets allow keystone correction.

SCREEN DIMENSIONS

SCREEN DIMENSIONS



SCREEN SURFACES

Arctiq

Matt white front surface, fibre glass support, black-backed. Gain 1.0

STANDARD FORMATS



Height > width, with extra height that gives additional flexibility. No black borders.



The screen has 5 cm wide black borders. The format of the viewing area is 4:3.



The screen format is 1:1. No black borders.



The screen has 5 cm wide black borders. The format of the viewing area is 16:9.

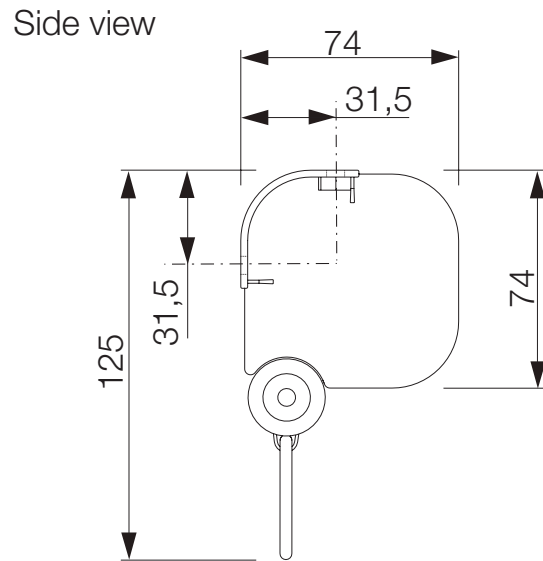
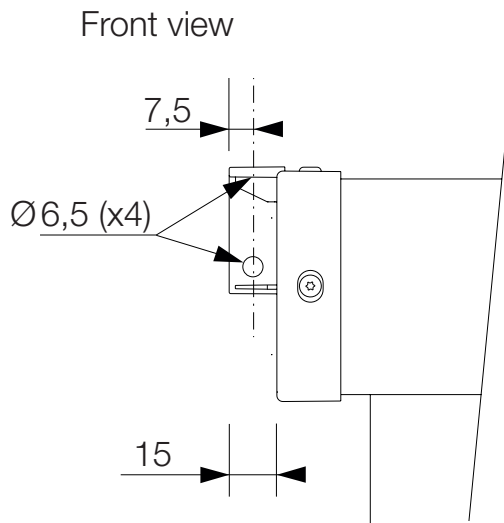


The screen format is 4:3. No black borders.

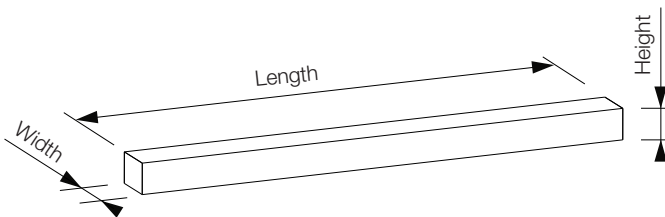


The screen has 5 cm wide black borders. The format of the viewing area is 16:10.

CASE DIMENSIONS



PACKAGING DIMENSIONS



Screen width	Box length	Box width	Box heigth
1250	1490	125	130
1500	1740	125	130
1600	1840	125	130
1800	2040	125	130
2000	2240	125	130
2200	2440	125	130
2400	2640	125	130